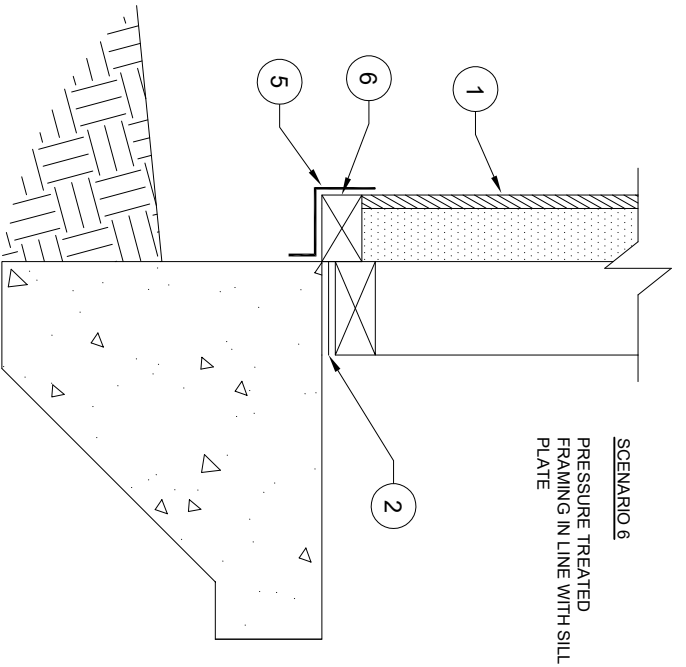
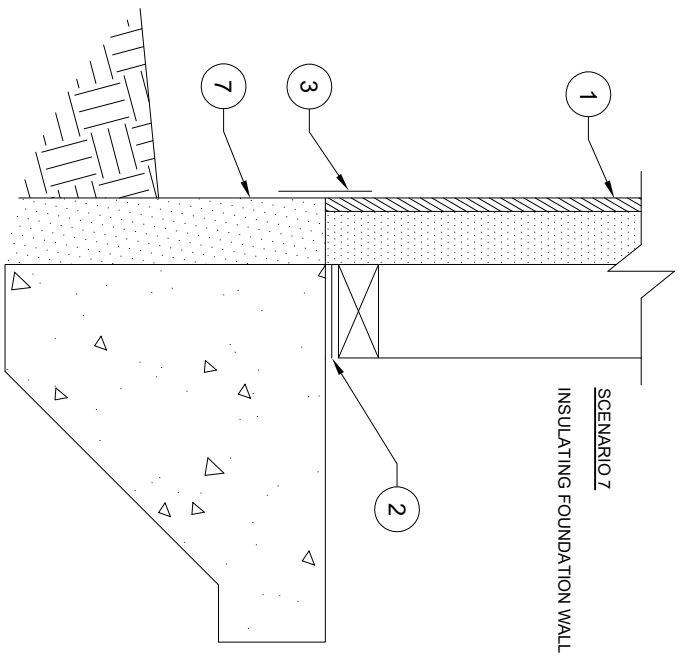


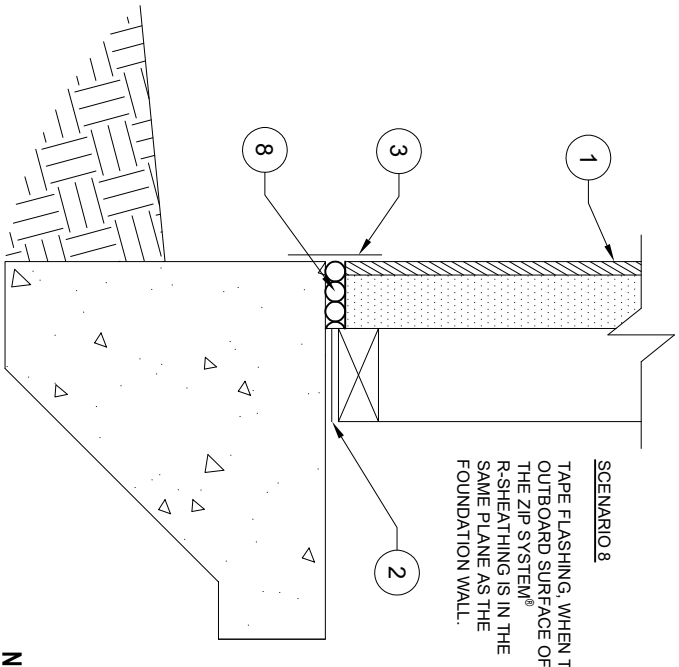
SCENARIO 5
PRESSURE TREATED FRAMING
BELOW SILL PLATE



SCENARIO 6
PRESSURE TREATED
FRAMING IN LINE WITH SILL
PLATE



SCENARIO 7
INSULATING FOUNDATION WALL



SCENARIO 8
TAPE FLASHING, WHEN THE
OUTBOARD SURFACE OF
THE ZIP SYSTEM®
R-SHEATHING IS IN THE
SAME PLANE AS THE
FOUNDATION WALL.

NTS

1. ZIP SYSTEM® R-SHEATHING.
 2. SILL SEALER OR SEAL GASKET.
 3. ZIP SYSTEM™ FLASHING TAPE*. ROLL THE TAPE. NOTE: ZIP SYSTEM™ FLASHING TAPE SHOULD NOT BE VISIBLE AFTER FLASHING OR SIDING HAS BEEN INSTALLED.
 4. CODE APPROVED BASE FLASHING. DESIGN, SHAPE AND MATERIAL TO BE DETERMINED BY THE DESIGNER OF RECORD OR CLADDING MANUFACTURER.
 5. A) ZIP SYSTEM™ LIQUID FLASH** TO CREATE A MONOLITHIC FLUID APPLIED FLASHING MEMBRANE. NOTE: ZIP SYSTEM™ LIQUID FLASH SHOULD NOT BE VISIBLE AFTER FLASHING OR SIDING HAS BEEN INSTALLED.
OR
B) COMPATIBLE, SELF-ADHERED MEMBRANE. NOTE: EXPOSURE COMPATIBILITY AND EXPOSURE RATING TO BE DETERMINED BY MEMBRANE MANUFACTURER.
 6. PRESSURE TREATED LUMBER, ATTACHMENT DESIGNED BY OTHERS.
 7. EXTERIOR RIGID INSULATION RATED FOR BELOW GRADE APPLICATION, SELECTION BY OTHERS.
 8. MINIMUM 1/2" GAP BETWEEN BOTTOM, WOOD PORTION OF ZIP SYSTEM R-SHEATHING AND CONCRETE/MASONRY FOUNDATION. OPTIONAL: FOAM BACKER ROD IN THE GAP BETWEEN ZIP SYSTEM R-SHEATHING AND FOUNDATION.
* OR FLASHING TAPE SATISFYING AAMA-711 OR AC148.
** OR ANY CODE APPROVED FLUID APPLIED FLASHING MEMBRANE MEETING AAMA 714.
- NOTE: WHEN ADHERING FLASHING TAPES TO CONCRETE, CONCRETE MUST BE FREE OF ANY DIRT OR DEBRIS AND DRY TO THE TOUCH AT THE TIME OF APPLICATION.
NOTE: FOR INSECT PROTECTION, ZIP SYSTEM™ FLASHING TAPE CAN BE WRAP ON THE BOTTOM OF THE ZIP SYSTEM® R-SHEATHING PANELS BEFORE INSTALLATION OR USE SEALANT AT THE INTERSECTION OF THE BASE FLASHING AND THE FOUNDATION WALL.