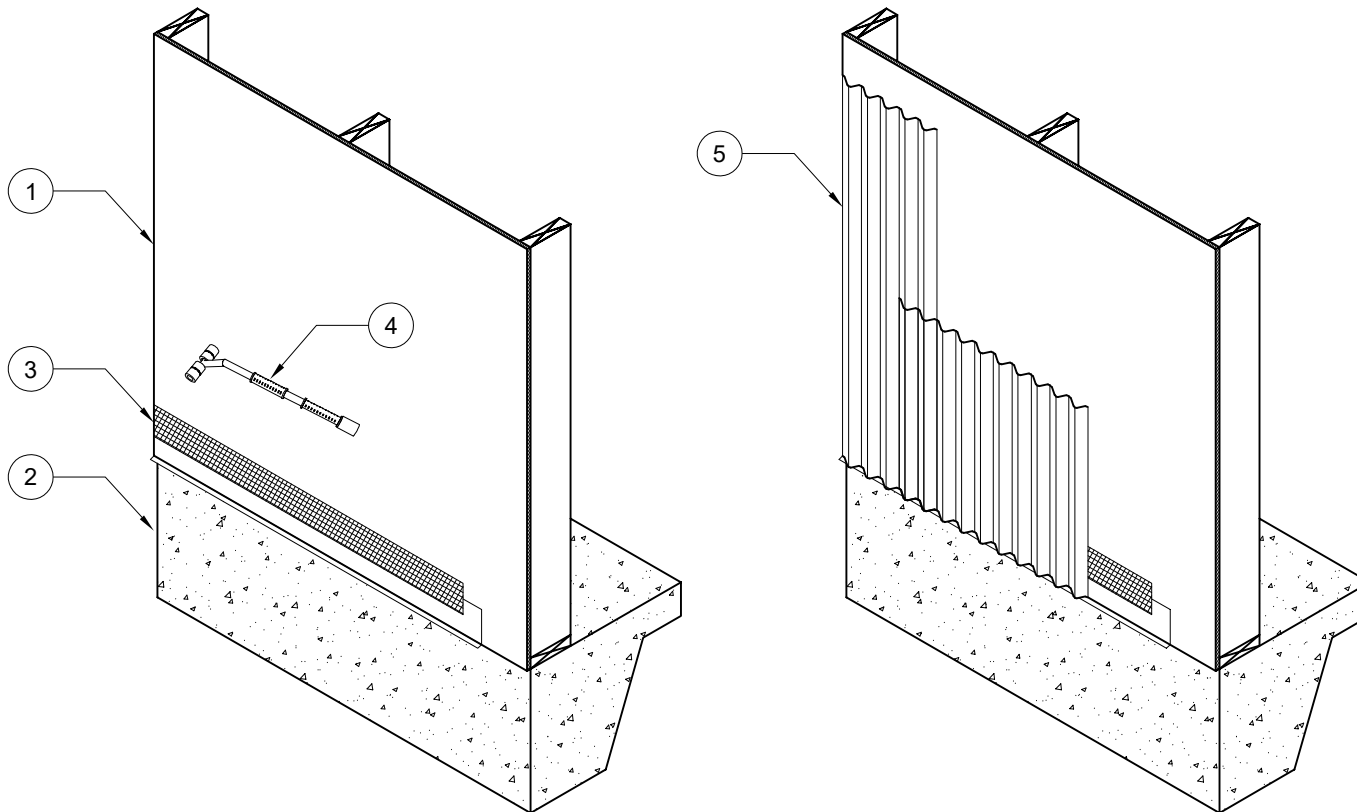


1. ZIP SYSTEM® SHEATHING.
2. CODE APPROVED BASE FLASHING.
3. TAPE THE TOP EDGE OF FLASHING WITH ZIP SYSTEM™ TAPE OR ADHESIVE BACKED FLASHING MEETING AAMA 711 OR AC148.
4. ZIP SYSTEM ROLLER. ROLL ALL TAPE.
5. METAL SIDING INSTALLED PER METAL SIDING MANUFACTURER REQUIREMENTS.



NTS