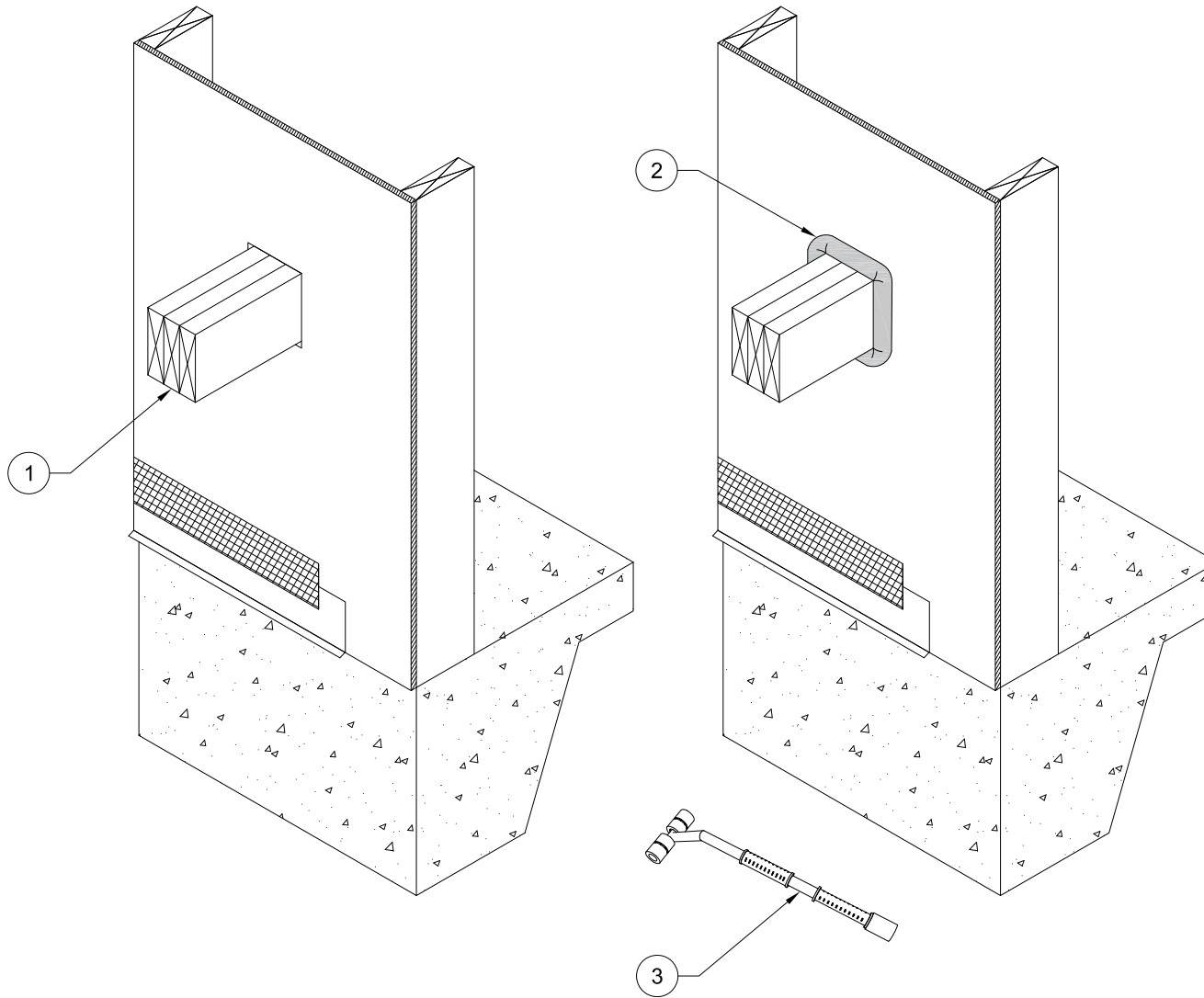
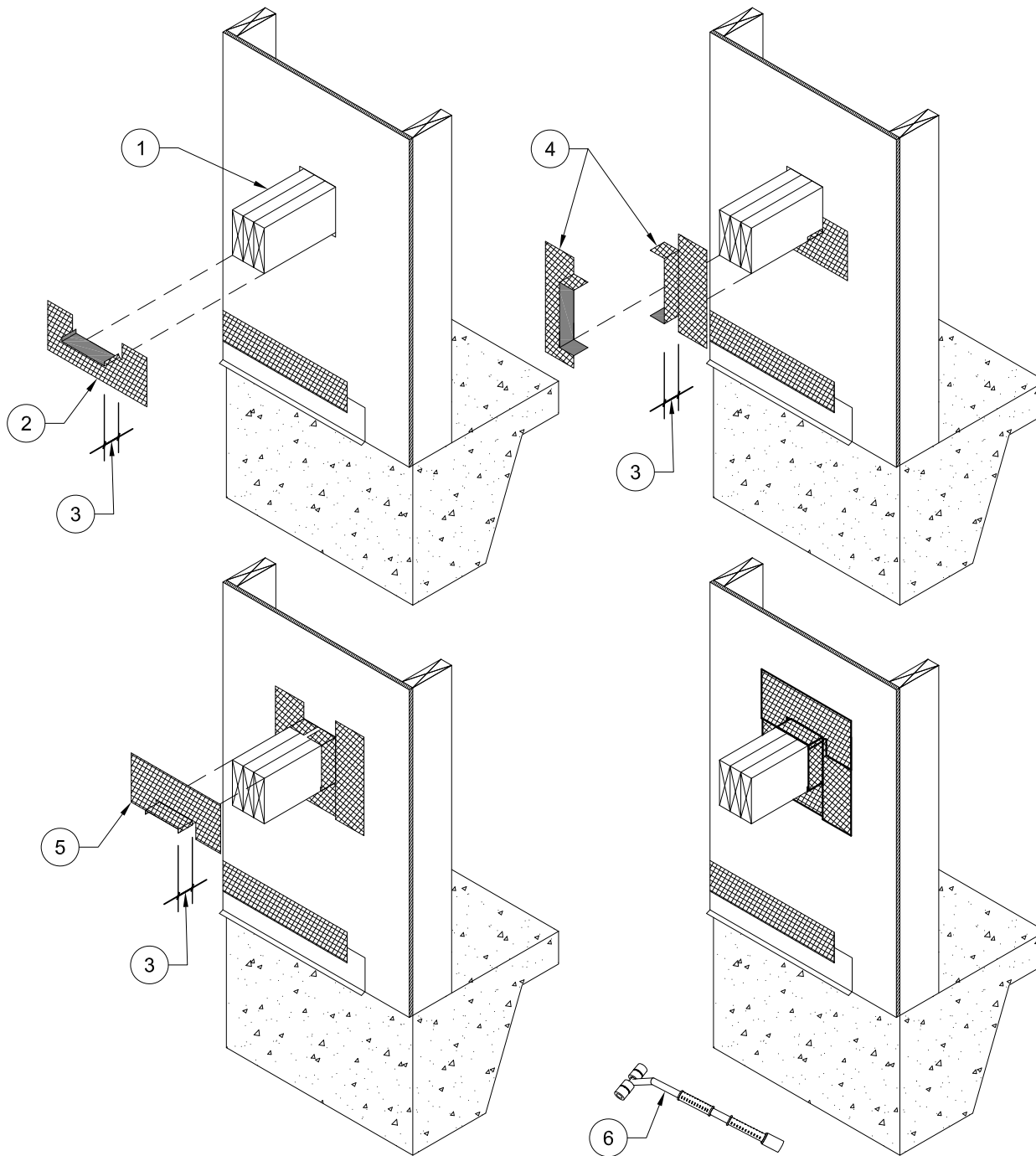


1. BEAM OR SIMILAR PENETRATION.
2. ZIP SYSTEM™ STRETCH TAPE.
3. ZIP SYSTEM™ ROLLER. ROLL ALL TAPE.



NTS



1. BEAM OR SIMILAR PENETRATION.
2. ZIP SYSTEM™ TAPE.
3. MINIMUM 2 INCHES.
4. ZIP SYSTEM™ TAPE.
5. ZIP SYSTEM™ TAPE.
6. ZIP SYSTEM™ ROLLER. ROLL ALL TAPE.

NTS