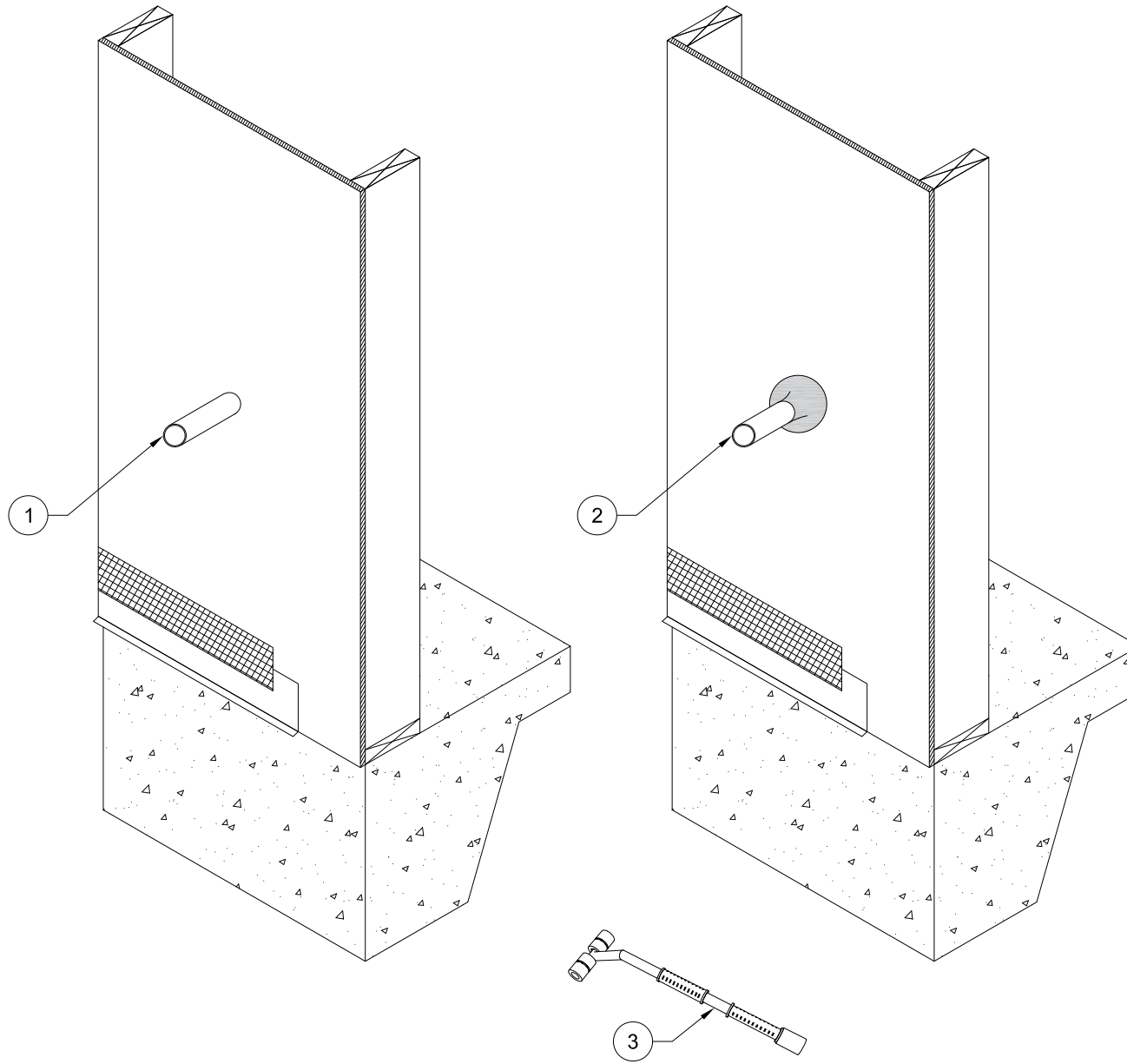
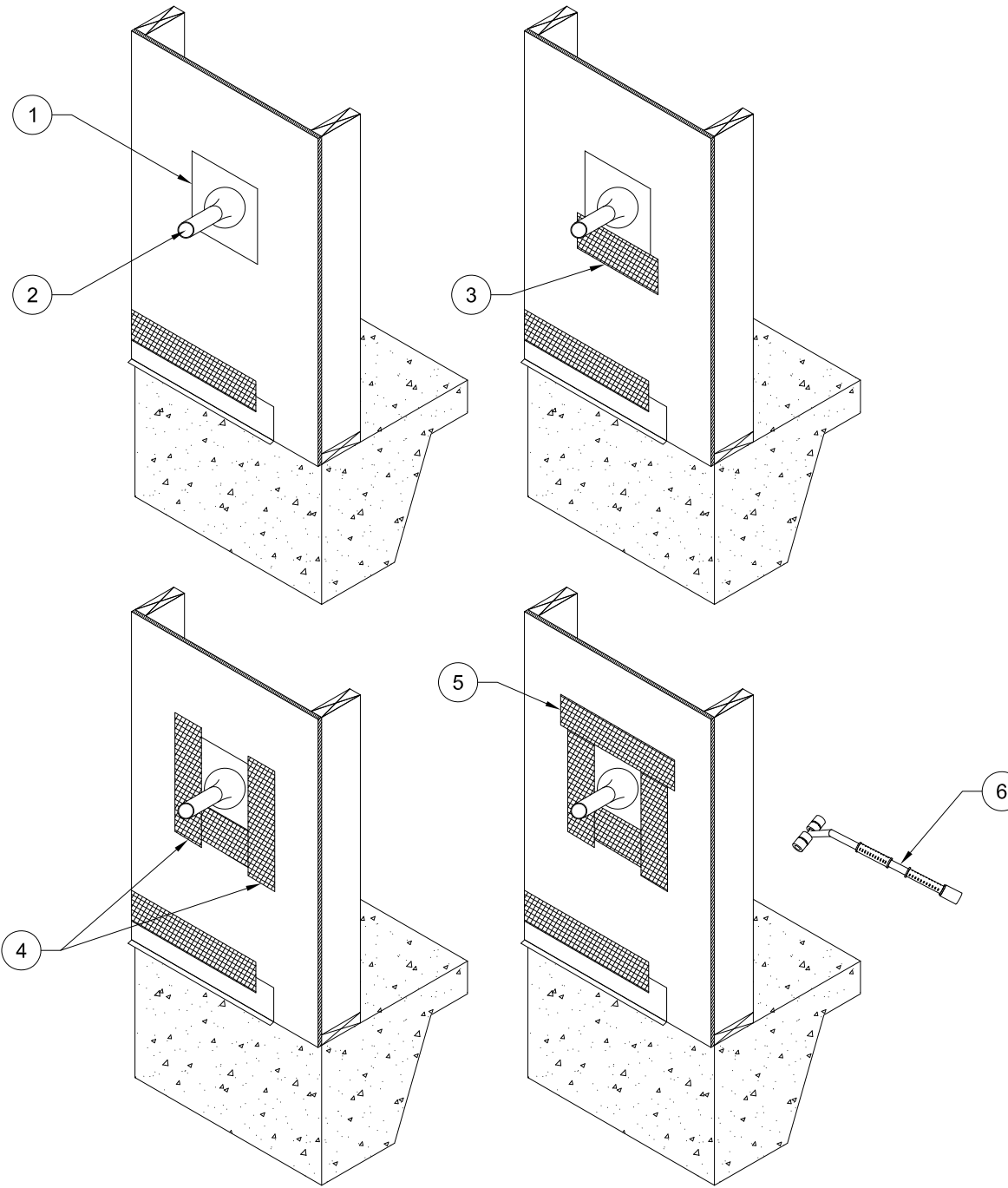


1. PIPE OR OTHER ROUND PENETRATION.
2. ZIP SYSTEM™ STRETCH TAPE.
3. ZIP SYSTEM™ ROLLER. ROLL ALL TAPE.



NTS



1. FLASHING BOOT.
2. PIPE OR OTHER ROUND PENETRATION.
3. ZIP SYSTEM™ TAPE OR ADHESIVE BACKED FLASHING MEETING AAMA 711 OR AC148 APPLIED ALONG THE BOTTOM EDGE OF THE FLASHING BOOT.
4. ZIP SYSTEM™ TAPE OR ADHESIVE BACKED FLASHING MEETING AAMA 711 OR AC148 APPLIED ALONG THE JAMBS OF THE FLASHING BOOT.
5. ZIP SYSTEM™ TAPE OR ADHESIVE BACKED FLASHING MEETING AAMA 711 OR AC148 APPLIED ALONG THE HEAD OF THE FLASHING BOOT. THE TAPE SHOULD EXTEND PAST THE JAMBS BY AT LEAST 1-INCH ON EACH SIDE.
6. ZIP SYSTEM™ ROLLER. ROLL ALL TAPE.

NTS