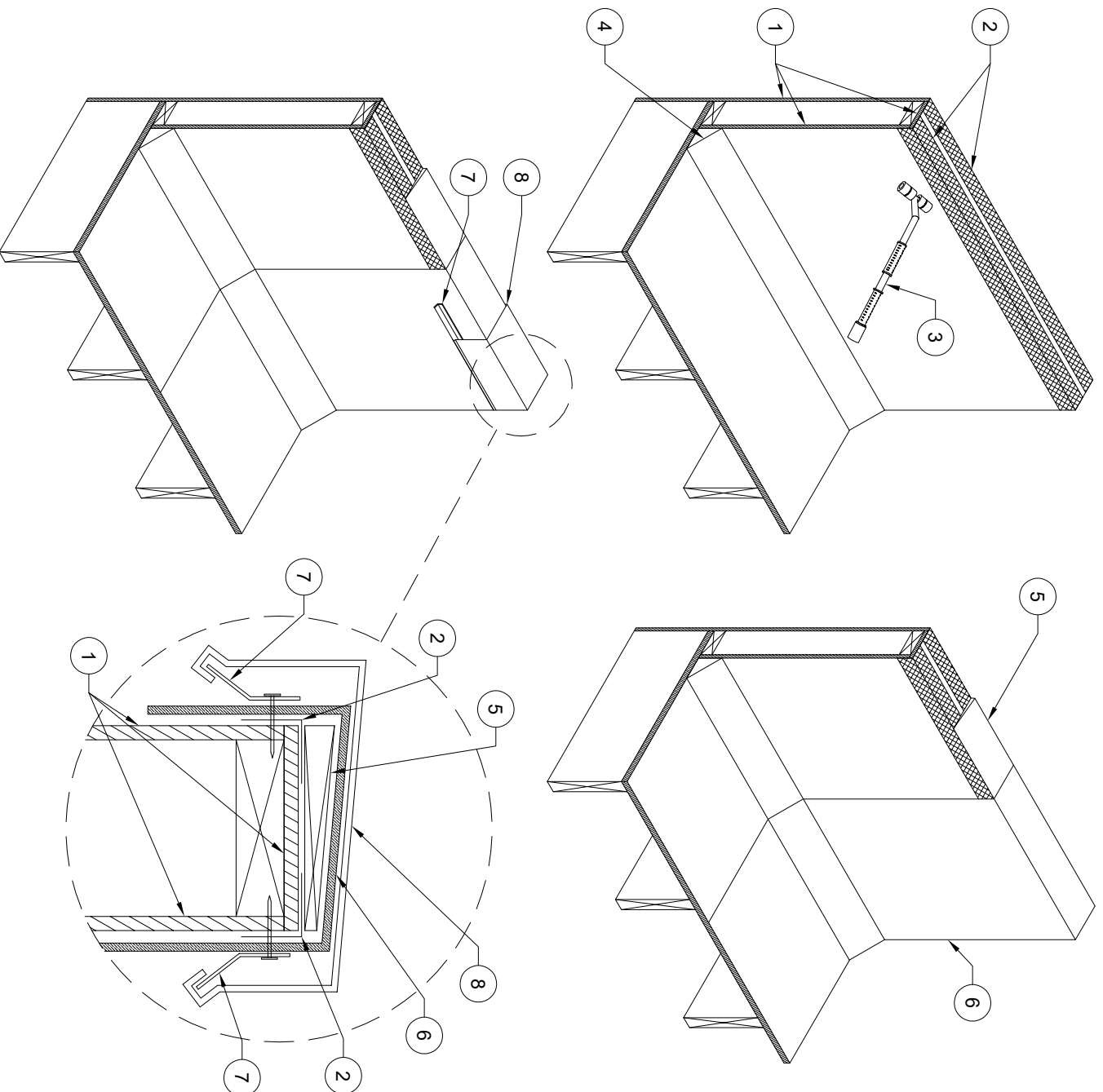


1. ZIP SYSTEM® SHEATHING.
2. ZIP SYSTEM™ TAPE OR ADHESIVE BACKED FLASHING MEETING AAMA 711 OR AC148.
3. ZIP SYSTEM ROLLER. ROLL ALL TAPE.
4. CANT STRIP.
5. SEE ARCHITECTURAL DETAILS FOR TOP/PARAPET DETAILING.
6. WATERPROOFING MEMBRANE, FINISHED CLADDING OR OTHER WALL COVERING PER MANUFACTURERS RECOMMENDATIONS.
7. CONTINUOUS CLEAT.
8. PARAPET CAP.

IT IS THE RECOMMENDATION OF HUBER ENGINEERED WOODS TO BRING THE WATER PROOFING MEMBRANE OVER THE TOP OF THE PARAPET WALL TO ACHIEVE ROUGH DRY-IN DURING CONSTRUCTION.



NTS