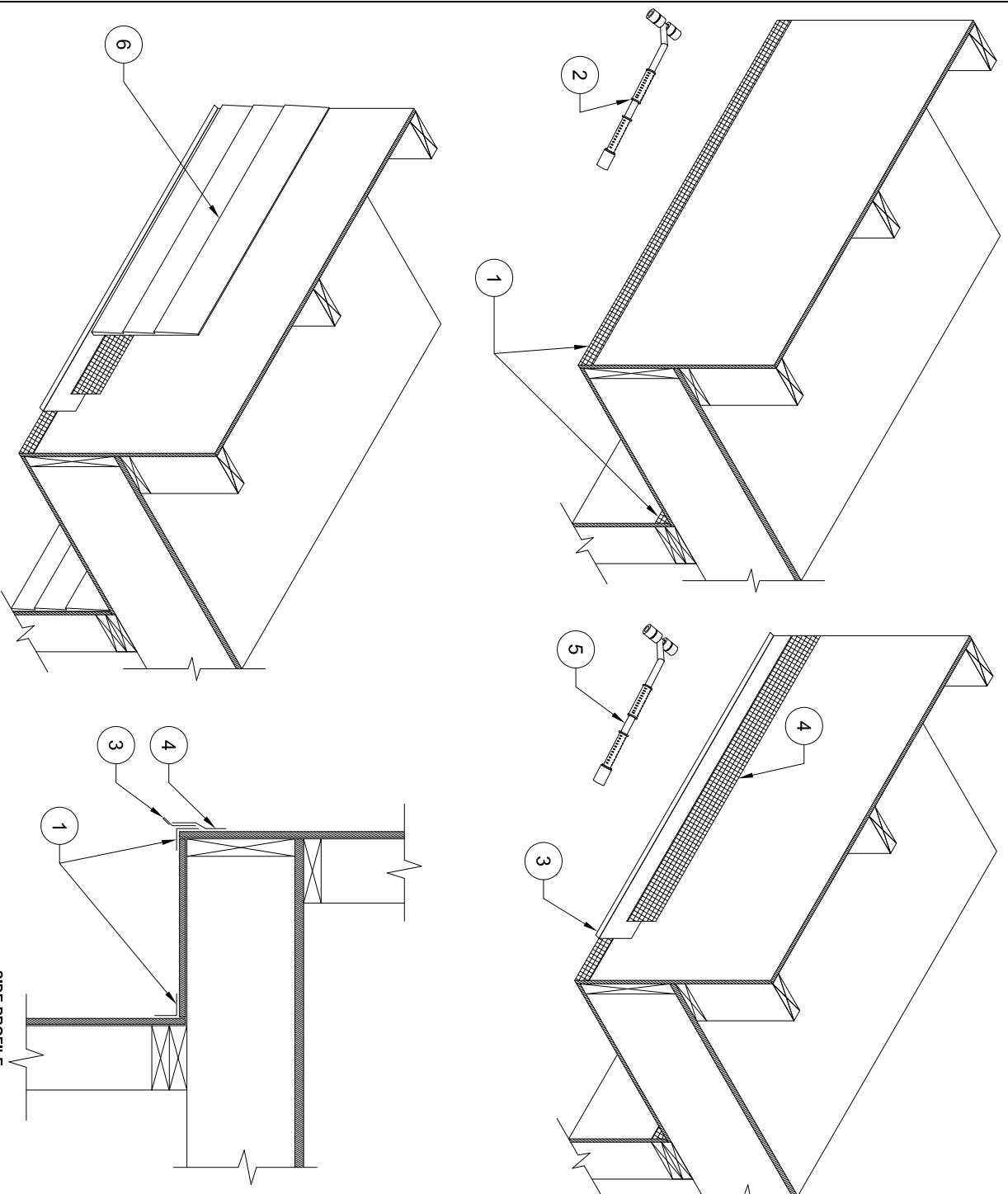


1. ZIP SYSTEM™ TAPE.
2. ZIP SYSTEM™ ROLLER. ROLL ALL TAPE.
3. CODE APPROVED FLASHING.
4. TAPE THE TOP EDGE OF FLASHING WITH ZIP SYSTEM™ TAPE OR ADHESIVE BACKED FLASHING MEETING AAMA 711 OR AC148.
5. ZIP SYSTEM™ ROLLER. ROLL ALL TAPE.
6. CODE APPROVED SIDING INSTALLED PER SIDING MANUFACTURER'S RECOMMENDATIONS.



SIDE PROFILE

NTS

06-08-2018

ZIP SYSTEM® SHEATHING AT CANTILEVERED FLOOR

D-3

Questions? Call us at 800.933.9220 ext. 2716
or visit our website at zipsystem.com

ZIPsystem™
SHEATHING & TAPE