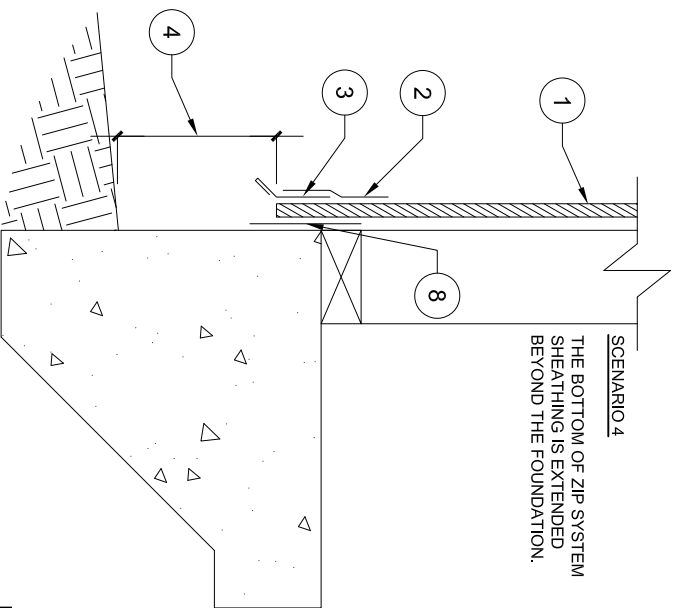
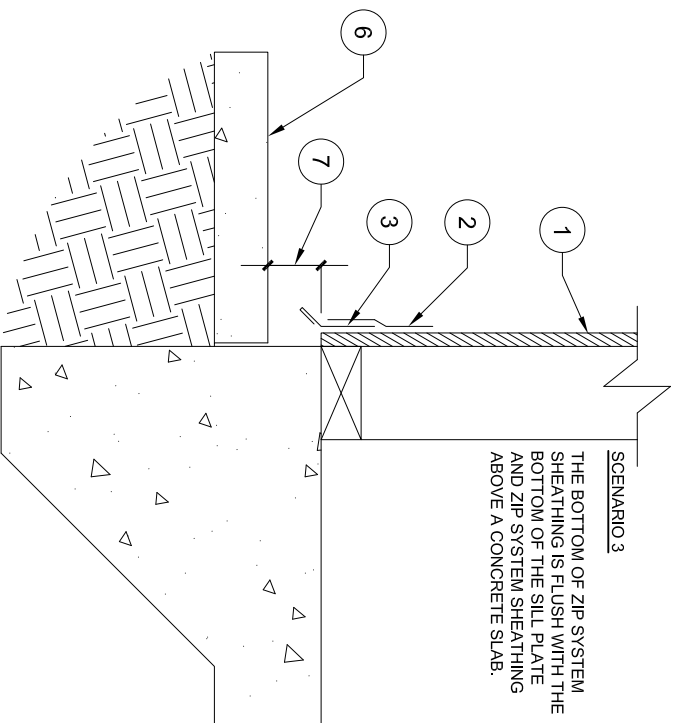
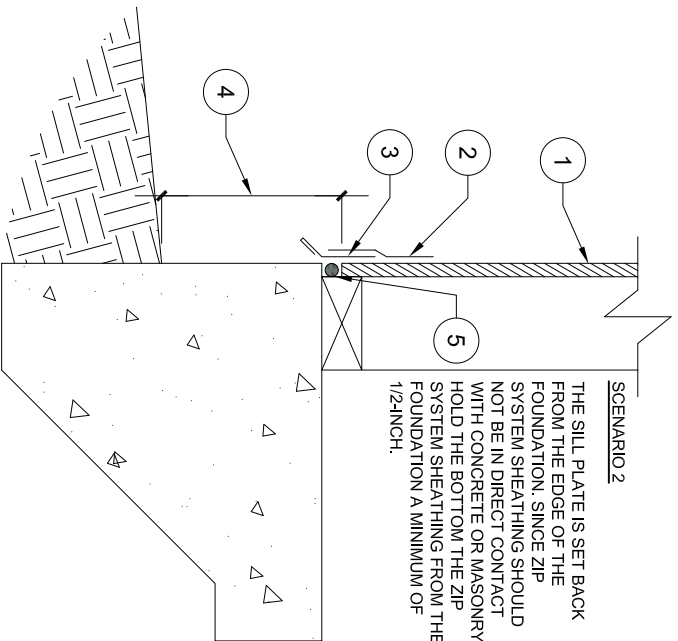
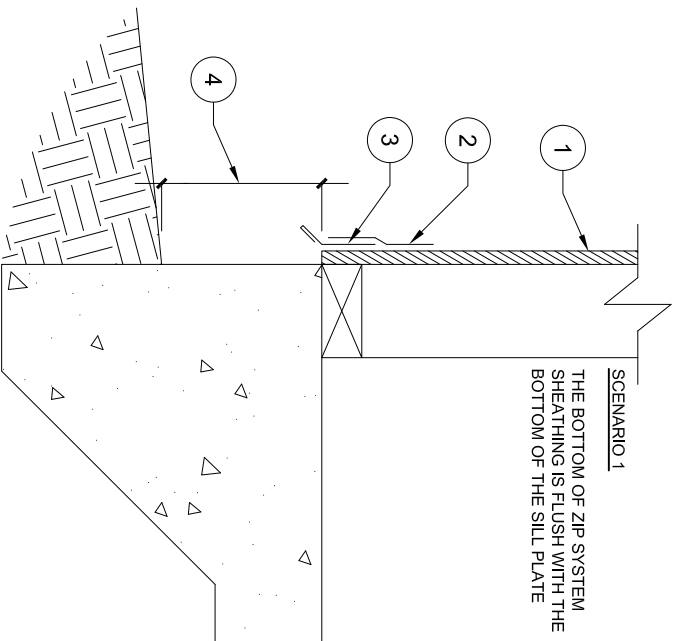


1. ZIP SYSTEM® SHEATHING.
2. TAPE THE TOP EDGE OF FLASHING WITH ZIP SYSTEM™ TAPE OR ADHESIVE BACKED FLASHING MEETING AAMA 711 OR AC148.
3. CODE APPROVED BASE FLASHING.
4. MINIMUM OF 6-INCHES FROM THE BOTTOM OF A PANEL TO THE TOP OF GRADE PER THE INTERNATIONAL RESIDENTIAL CODE: 8-INCHES FOR PROJECTS GOVERNED BY THE INTERNATIONAL BUILDING CODE..
5. BACKER ROD.
6. CONCRETE SLAB.
7. MINIMUM OF 2-INCHES FROM THE BOTTOM OF A PANEL TO THE TOP OF CONCRETE SLAB PER THE INTERNATIONAL RESIDENTIAL CODE AND THE INTERNATIONAL BUILDING CODE.
8. SELF-ADHERED VAPOR IMPERMEABLE MEMBRANE



NTS