

1. ZIP SYSTEM TAPE™ OR CODE APPROVED FLASHING TAPE (MEETING AAMA 711 OR AC148).
 2. INSTALL ZIP SYSTEM™ TAPE CORNER PATCH CENTERED ON OUTSIDE CORNER.
 3. INSTALL ZIP SYSTEM™ TAPE AS PAN FLASHING.
 4. INSTALL ZIP SYSTEM™ TAPE AT THE JAMBS.
 5. PLACE A CONTINUOUS PIECE OF ZIP SYSTEM TAPE™ ON THE PAN AND JAMBS.
FOR MORE DETAIL INSTRUCTIONS ON INSTALLING THE SILL PAN USING ZIP SYSTEM™ TAPE FOR STEPS 2-5 PLEASE SEE PAGE 2.
 6. ZIP SYSTEM ROLLER. ROLL ALL TAPE.
 7. SHIMS AS REQUIRED BY THE WINDOW MANUFACTURER.
 8. INSTALL GAPS IN THE SEALANT PER WINDOW MANUFACTURER.
 9. APPLY A CONTINUOUS BEAD OF SEALANT* AROUND THE BACK SIDE (INTERIOR SURFACE) OF THE WINDOW MOUNTING FLANGE.
 10. INSIDE SURFACE OF WINDOW FLANGE.
 11. ZIP SYSTEM™ TAPE OR ADHESIVE BACKED FLASHING (MEETING AAMA 711 OR AC148).
 12. ZIP SYSTEM™ ROLLER. ROLL ALL TAPE.
 13. CODE APPROVED FLASHING (ONLY REQUIRED WHEN BUILT IN DRAINAGE CHANNELS ARE NOT PART OF THE WINDOW'S DESIGN).
 14. ZIP SYSTEM TAPE OR ADHESIVE BACKED FLASHING (MEETING AAMA 711 OR AC148).
 15. ENSURE JAMB FLASHING DOES NOT EXTEND MORE THAN HALF WAY THROUGH THE HEAD FLASHING.
 16. EXTEND THE HEAD FLASHING BEYOND THE JAMB FLASHING A MINIMUM OF 1-INCH.
 17. FROM THE INTERIOR, INSTALL LOW PRESSURE POLYURETHANE FOAM BETWEEN WINDOW AND ROUGH OPENING TO MAINTAIN CONTINUITY OF THE AIR BARRIER. IF GAPS IS TOO NARROW USE A COMPATIBLE CAULK SEALANT*.
 18. EXTEND THE HEAD FLASHING BEYOND THE JAMB FLASHING A MINIMUM OF 1-INCH.
 19. ZIP SYSTEM™ ROLLER. ROLL ALL TAPE.
- *WHEN APPLYING A SEALANT TO ZIP SYSTEM TAPE™, USE A BUTYL, 100% SILICONE OR POLYURETHANE SEALANT.

NTS

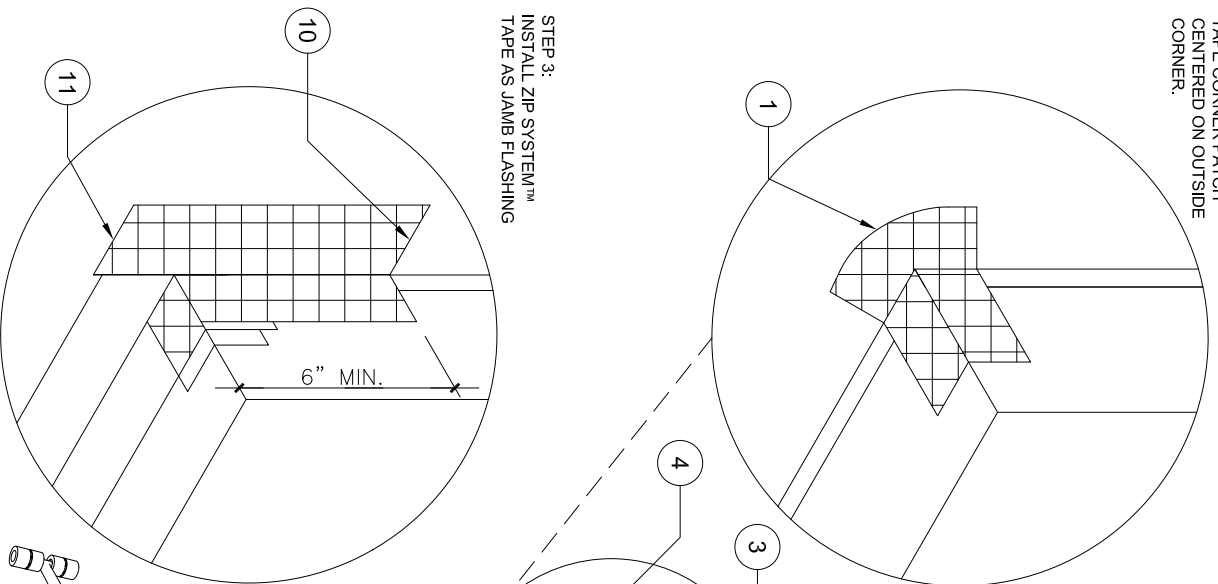
05-15-2018
ZIP SYSTEM® SHEATHING AT TYPICAL
FLANGED WINDOW - OPTION B (1 OF 2)

W-1

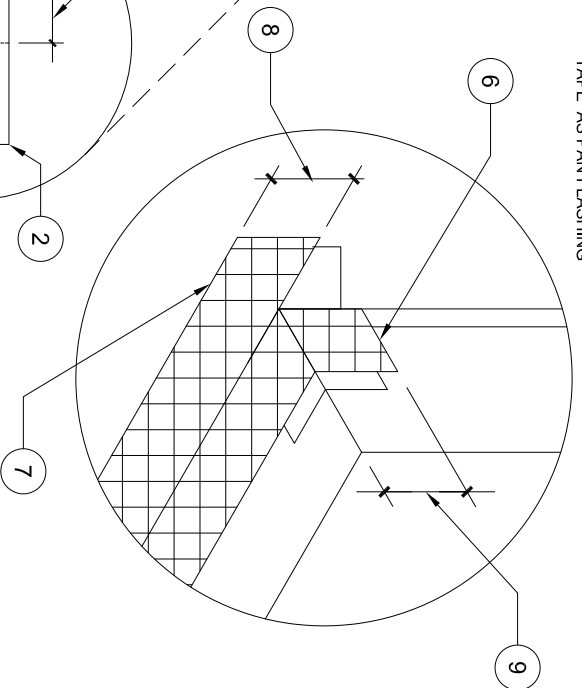
Questions? Call us at 800.933.9220 ext. 2716
or visit our website at zipssystem.com

ZIP System™
SHEATHING & TAPE

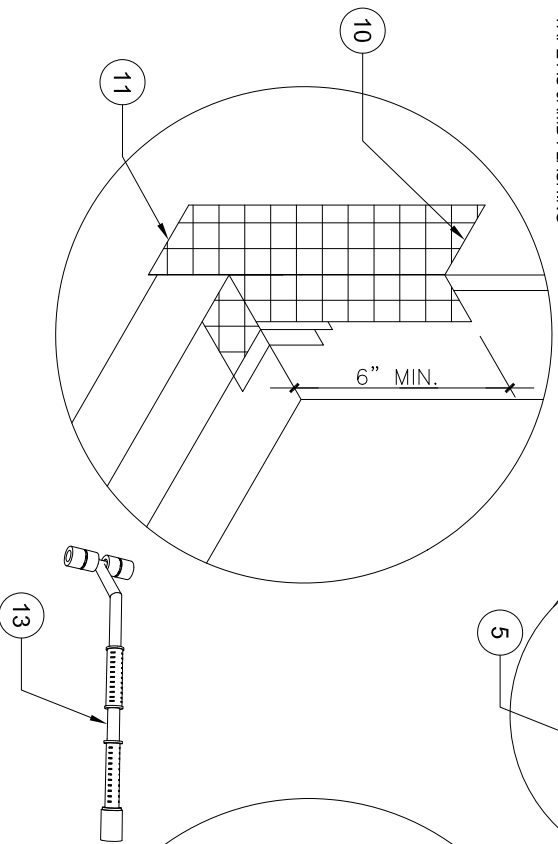
STEP 1:
INSTALL ZIP SYSTEM™
TAPE CORNER PATCH
CENTERED ON OUTSIDE
CORNER.



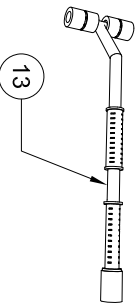
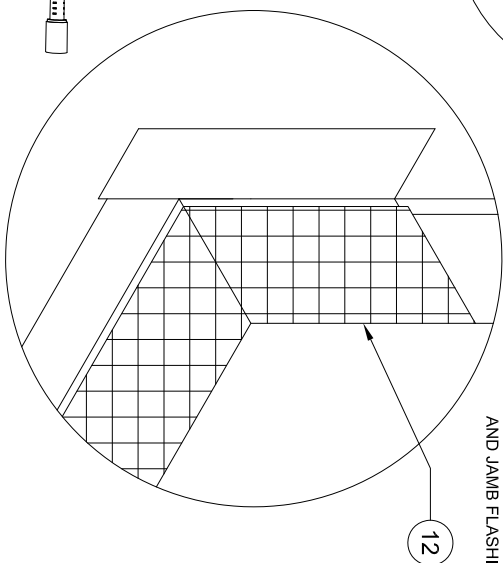
STEP 2:
INSTALL ZIP SYSTEM™
TAPE AS PAN FLASHING



STEP 3:
INSTALL ZIP SYSTEM™
TAPE AS JAMB FLASHING



STEP 3:
INSTALL ZIP SYSTEM™
TAPE AS CONTINUOUS SILL
AND JAMB FLASHING



1. ZIP SYSTEM TAPE™ OR CODE APPROVED FLASHING TAPE (MEETING AAMA 711 OR AC148) CORNER PATCHES.
2. THE CORNER PATCH IS A RECTANGULAR STRIP OF ZIP SYSTEM™ TAPE PLACED INTO THE CORNER OF THE WINDOW OPENING AND FOLDED ONTO THE FACE OF ZIP SYSTEM™ SHEATHING.
3. 1 ½ INCH MINIMUM.
4. 3 INCH MINIMUM.
5. 3 ¾ INCH MINIMUM.
6. END DAM - TURN UP AT JAMB A MINIMUM 2 INCHES.
7. EXTEND SILL END PIECE PAST JAMB A MINIMUM 2 INCHES.
8. 2 INCH MINIMUM.
9. 2 INCH MINIMUM.
10. JAMB SIDE FLANGE - TURN AROUND CORNER TO FACE OF WALL.
11. TURN JAMB SIDE FLANGE DOWN OVER SILL AND EXTEND PAST SILL END PIECE.
12. INSTALL ZIP SYSTEM™ TAPE AS PAN FLASHING. TURN UP JAMB A MINIMUM OF 6-INCHES.
13. ZIP SYSTEM™ ROLLER. ROLL ALL TAPE.

NTS

05-15-2018

ZIP SYSTEM® SHEATHING AT TYPICAL FLANGED WINDOW - OPTION B (20F2)

W-1

Questions? Call us at 800.933.9220 ext. 2716 or visit our website at zipsystem.com



These construction details are provided to assist in the installation of ZIP System® product(s) and may not apply to every situation. Manufacturer accepts no responsibility or liability for the use of these or other construction details.