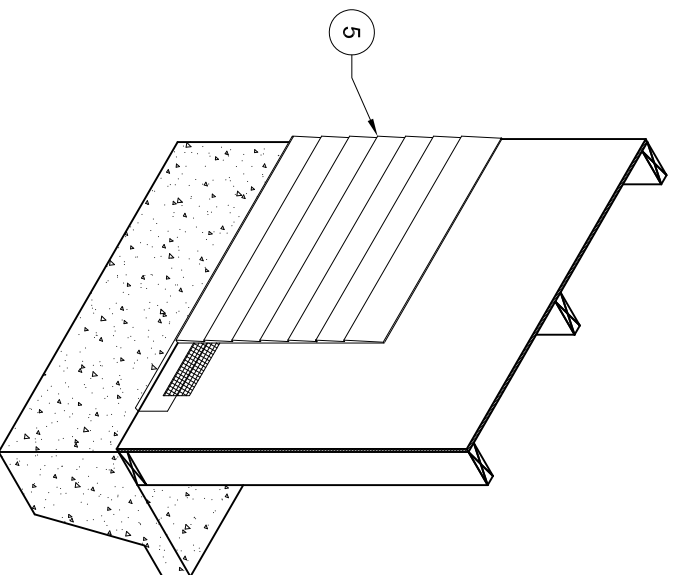
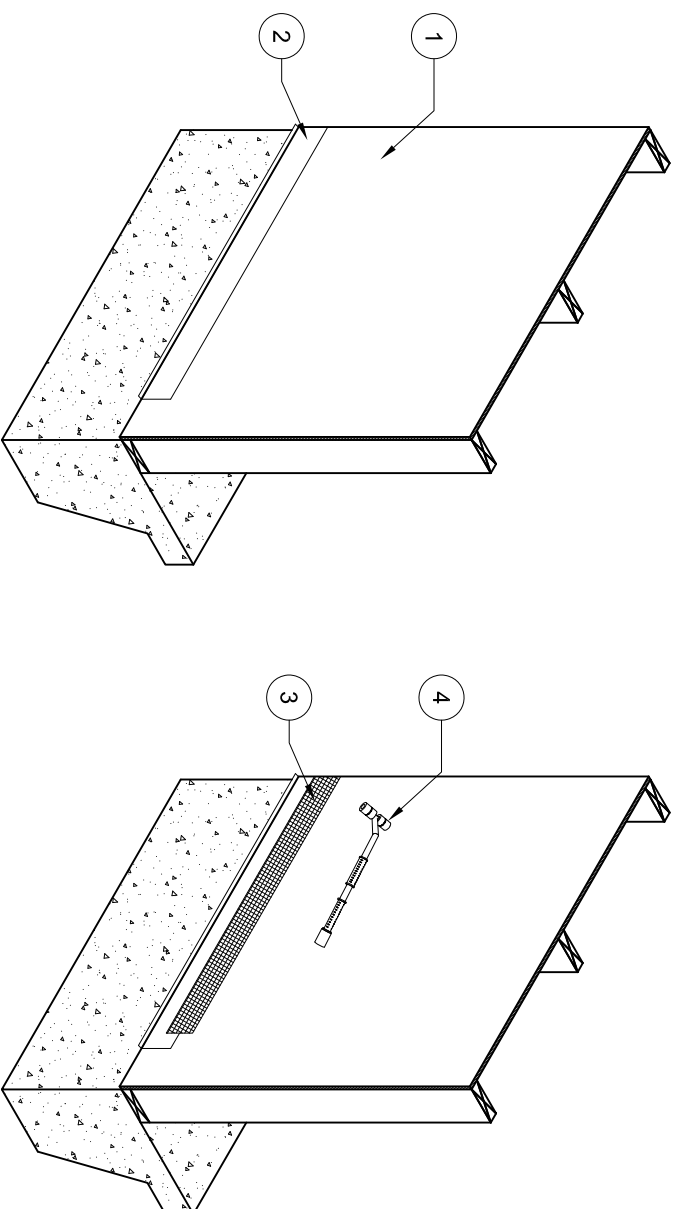


1. ZIP SYSTEM® SHEATHING.
2. CODE APPROVED BASE FLASHING.
3. TAPE THE TOP EDGE OF FLASHING WITH ZIP SYSTEM™ TAPE OR ADHESIVE BACKED FLASHING MEETING AAMA 711 OR AC148.
4. ZIP SYSTEM ROLLER. ROLL ALL TAPE.
5. LAP SIDING INSTALLED PER MANUFACTURER REQUIREMENTS.



NTS

06-01-2018

ZIP SYSTEM® SHEATHING AND LAPPED SIDING AT SLAB ON GRADE

L-1

Questions? Call us at 800.933.9220 ext. 2716
or visit our website at zipsystem.com

