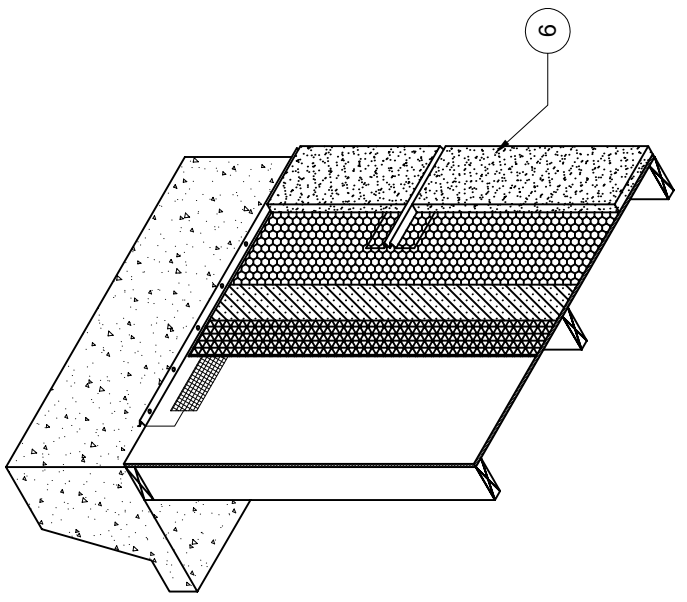
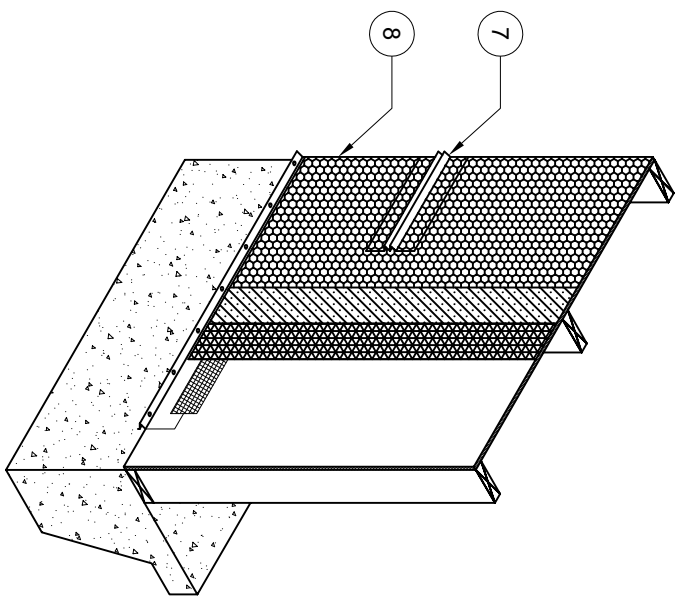
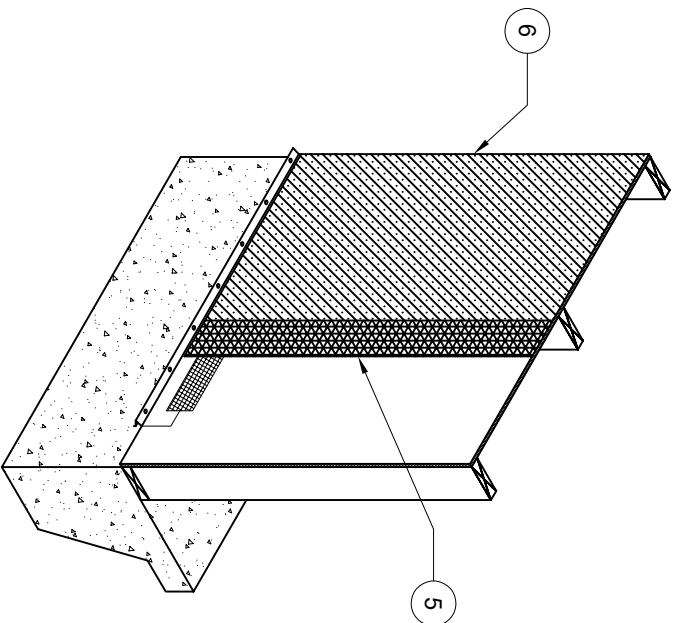
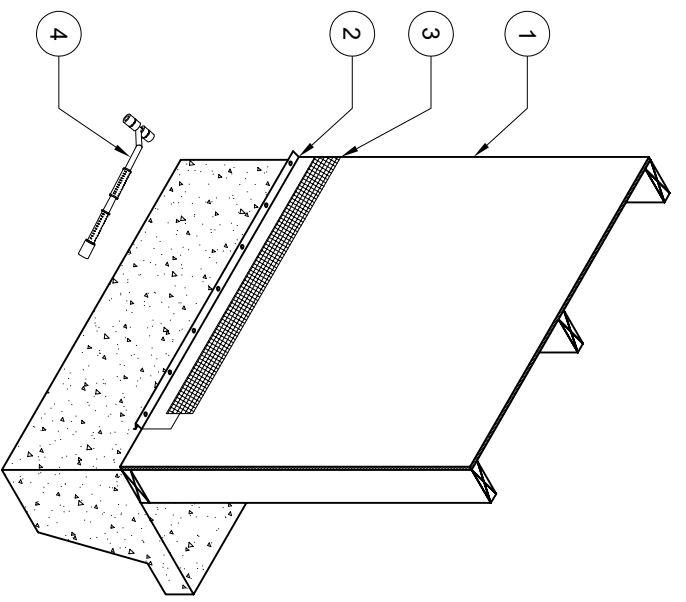


1. ZIP SYSTEM® SHEATHING*.
 2. CODE APPROVED WEEP SCREED.
 3. TAPE THE TOP EDGE OF FLASHING WITH ZIP SYSTEM™ TAPE OR ADHESIVE BACKED FLASHING MEETING AAMA 711 OR AC148.
 4. ZIP SYSTEM ROLLER. ROLL ALL TAPE.
 5. DRAINAGE MEDIUM (MINIMUM 1/8-INCH THICK).
 6. ONE LAYER OR WATER-RESISTIVE BARRIER WITH A PERFORMANCE AT LEAST EQUIVALENT TO GRADE D BUILDING PAPER.
 7. VERTICAL AND HORIZONTAL CONTROL JOINTS AS NEEDED. DESIGNER OF RECORD TO SPECIFY TYPE AND LOCATIONS(S).
 8. METAL LATH.
 9. TRADITIONAL HARD-COAT STUCCO INSTALLED IN ACCORDANCE WITH THE MANUFACTURER'S OR THE PORTLAND CEMENT ASSOCIATION (PCA) RECOMMENDATIONS WITH THE MOST RESTRICTIVE CONTROLLING.
- * ZIP SYSTEM SHEATHING IS APPROVED TO REPLACE THE FIRST LAYER OF A TWO LAYER WATER RESISTIVE BARRIER SYSTEM.



NTS